



# Technical Specifications

Unit 4 Brunel Close, Brunel Industrial Estate,  
Harworth, Doncaster DN11 8QA  
Tel: 0845 3016617 Fax: 01302 751233  
E-mail: info@winecorner.co.uk  
www.winecorner.co.uk

## CI 401

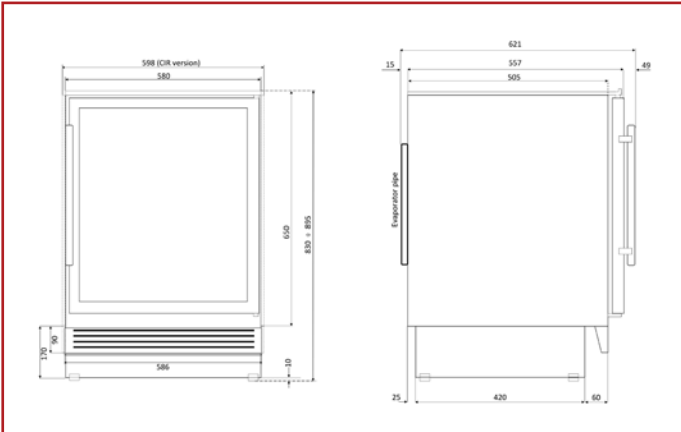


<b>Certifications</b>	
Approval (Professional Use)	2012
<b>General Features</b>	IMQ
<b>Directives Ref.</b>	2006/42/CE 2004/108/CE 2009/125/CE 2010/1060/CE

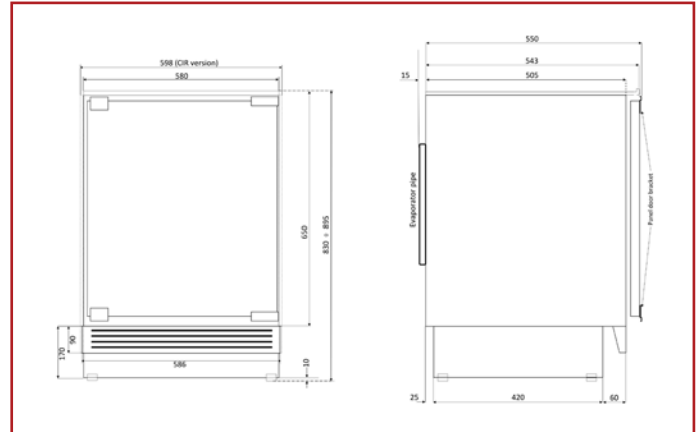
<b>Dimensions</b>	
• Height	1705mm
• Width	605mm
• Depth	590mm
• Net Weight	85kg
<b>Inside Cellar</b>	
• Height	1446mm
• Width	540mm
• Depth	465mm
<b>Packed Dimensions</b>	
• Height	2000mm
• Width	670mm
• Depth	670mm
• Gross Weight	100kg
<b>General Features</b>	
Standard Colour	Black
Number of Compressors	1
Reversible Door	No
Electronic Thermostat	1
Adjustable Feet	4
Cool Distribution System	Static
Defrosting System	Yes
Condensate Discharge	Evap. Tray on Compressor
Interior Light	1
Lock	1
<b>Standard Setting Up</b>	
Bottle Holder	117
Stock Shelves	3
Sliding Shelves	1
Half Shelves	4
<b>Technical Features</b>	
Cooling Gas	HFC-R134a
Quantity	0.095kg
Annual Energy Consumption	123 kWh/annum
Voltage	220-230v
Frequency	50hz
Nominal Input	240w
Nominal Current	1.68A
Noise Level	44dBA
Range Temperature	4/18°C
Tolerance	±1°C
Energy Class	A
Climate Class	N
Total Gross Volume	608l
Total Net Volume	350l

© Wine Corner Limited July 2016. We reserve the right to change product specifications and prices without prior notice. Wine Corner Limited does not accept any responsibility for any loss, which may arise as a consequence of reliance on information contained in this product specification.

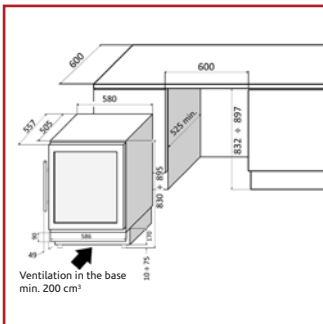
## CI 401



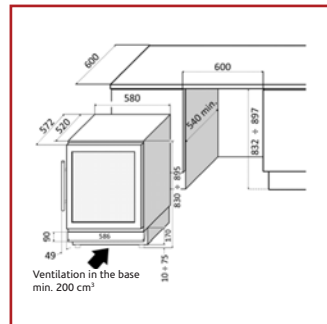
CI 141/CIR 141



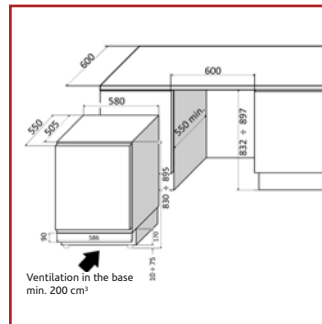
CI 140/CIR 140



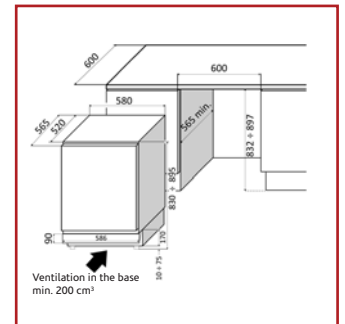
CI 141 (insulated evaporator)



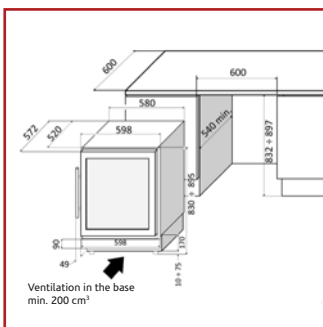
CI 141 (roll bond evaporator)



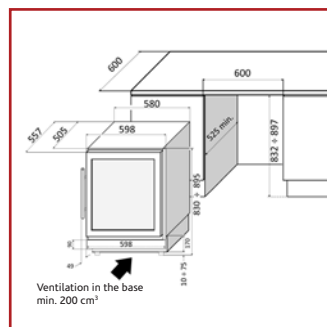
CI 140 (roll bond evaporator)



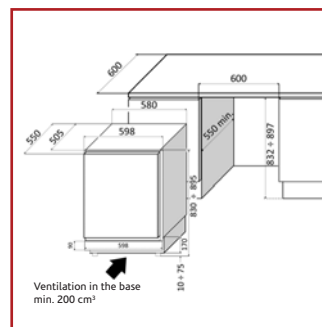
CIR 140 (roll bond evaporator)



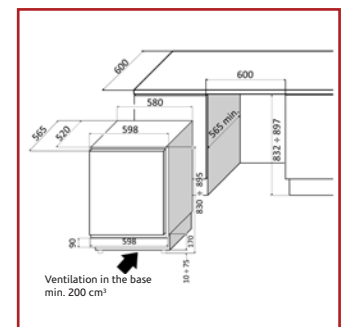
CIR 141 (roll bond evaporator)



CIR 141 (insulated evaporator)



CIR 140 (insulated evaporator)



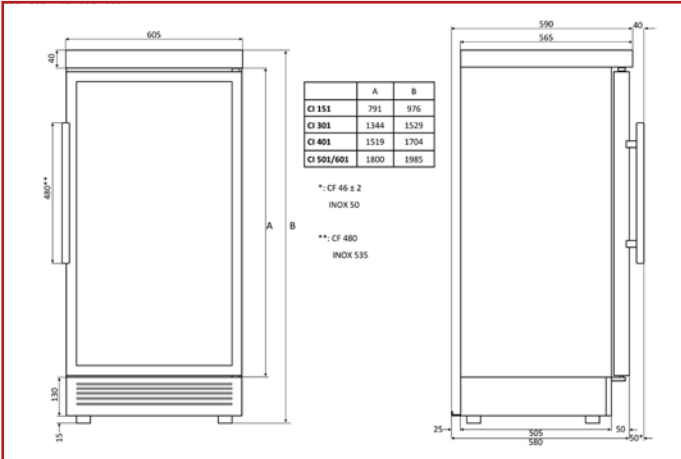
CIR 140 (roll bond evaporator)



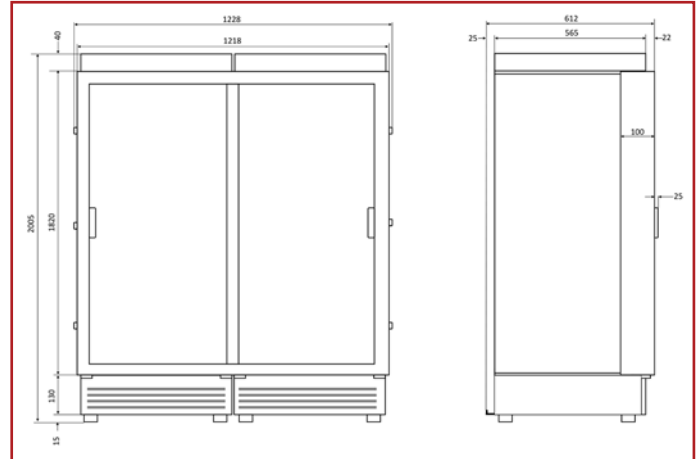
# Technical Specifications

Unit 4 Brunel Close, Brunel Industrial Estate,  
 Harworth, Doncaster DN11 8QA  
 Tel: 0845 3016617 Fax: 01302 751233  
 E-mail: info@winecorner.co.uk  
 www.winecorner.co.uk

## CI 401



CI 151-301-401-501-601



CI 2501 SD

